

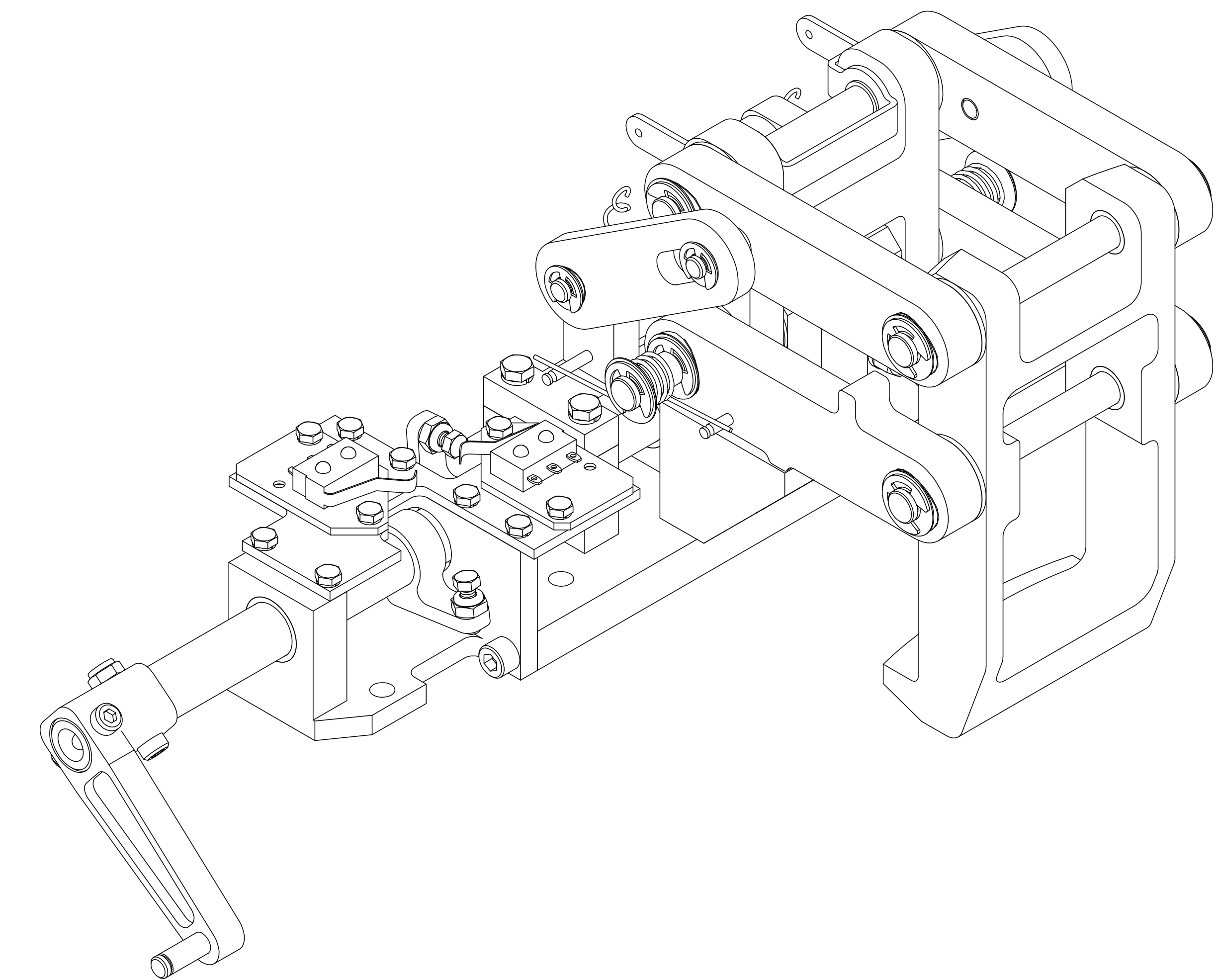
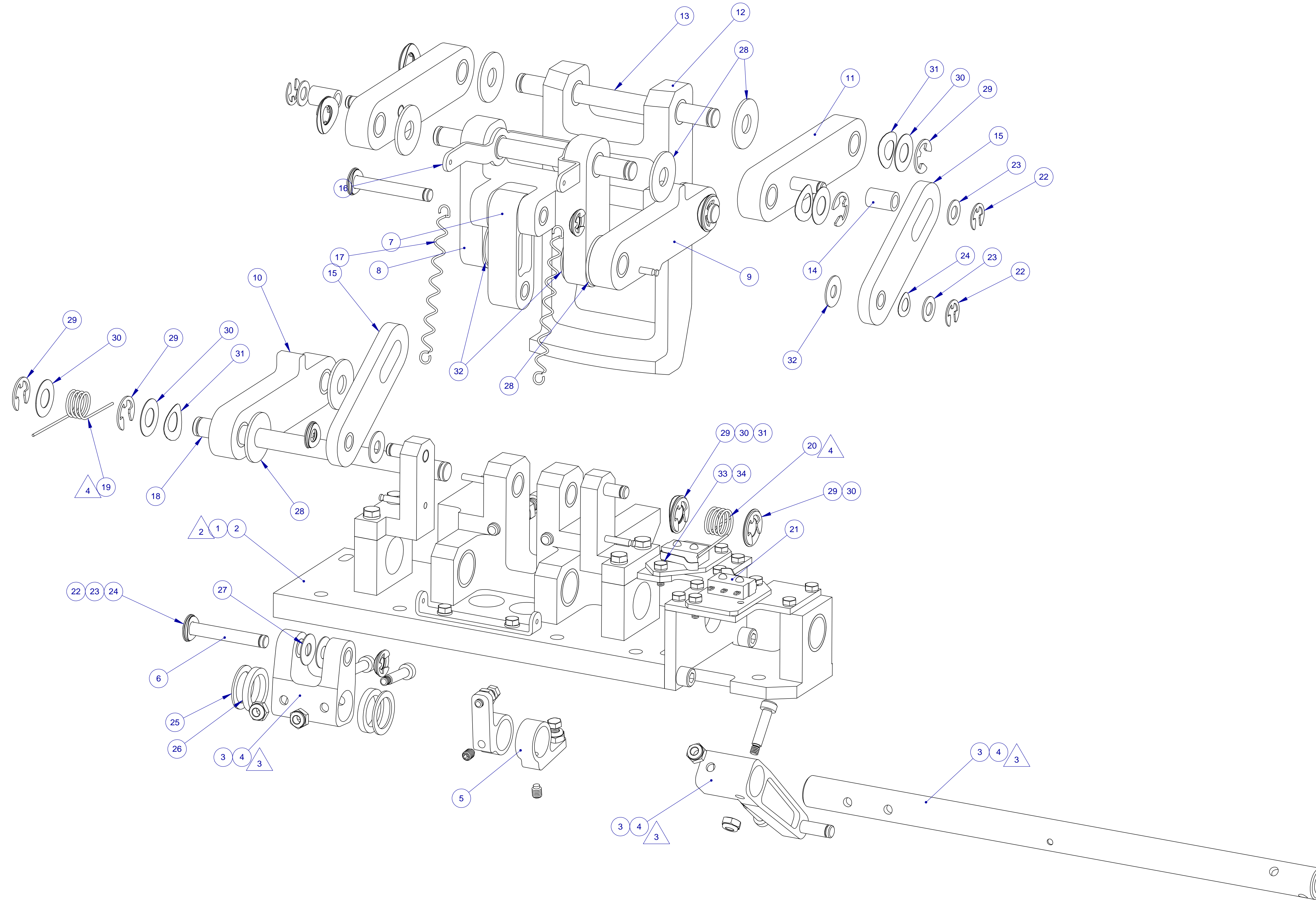
NOTES:

1. -1 STARBOARD AND -2 PORT ARE IDENTICAL EXCEPT FOR ORIENTATION OF PARTS AND NOTED DIFFERENT PART CONFIGURATIONS (DASH NUMBERS).

2. -1 STARBOARD LATCH USES ITEM 1 STARBOARD LATCH BODY ASSY, 8052403-1.  
-2 PORT LATCH USES ITEM 2 PORT LATCH BODY ASSY, 8052403-2.

3. -1 STARBOARD LATCH USES ITEM 3 STARBOARD MAINSHAFT ASSY, 8052404-1.  
-2 PORT LATCH USES ITEM 4 PORT MAINSHAFT ASSY, 8052404-2.

4. POSITIONS OF ITEM 19 & ITEM 20 SPRINGS ARE REVERSED FOR PORT LATCH.



-1 STARBOARD LATCH  
SHOWN THIS SHEET